

4

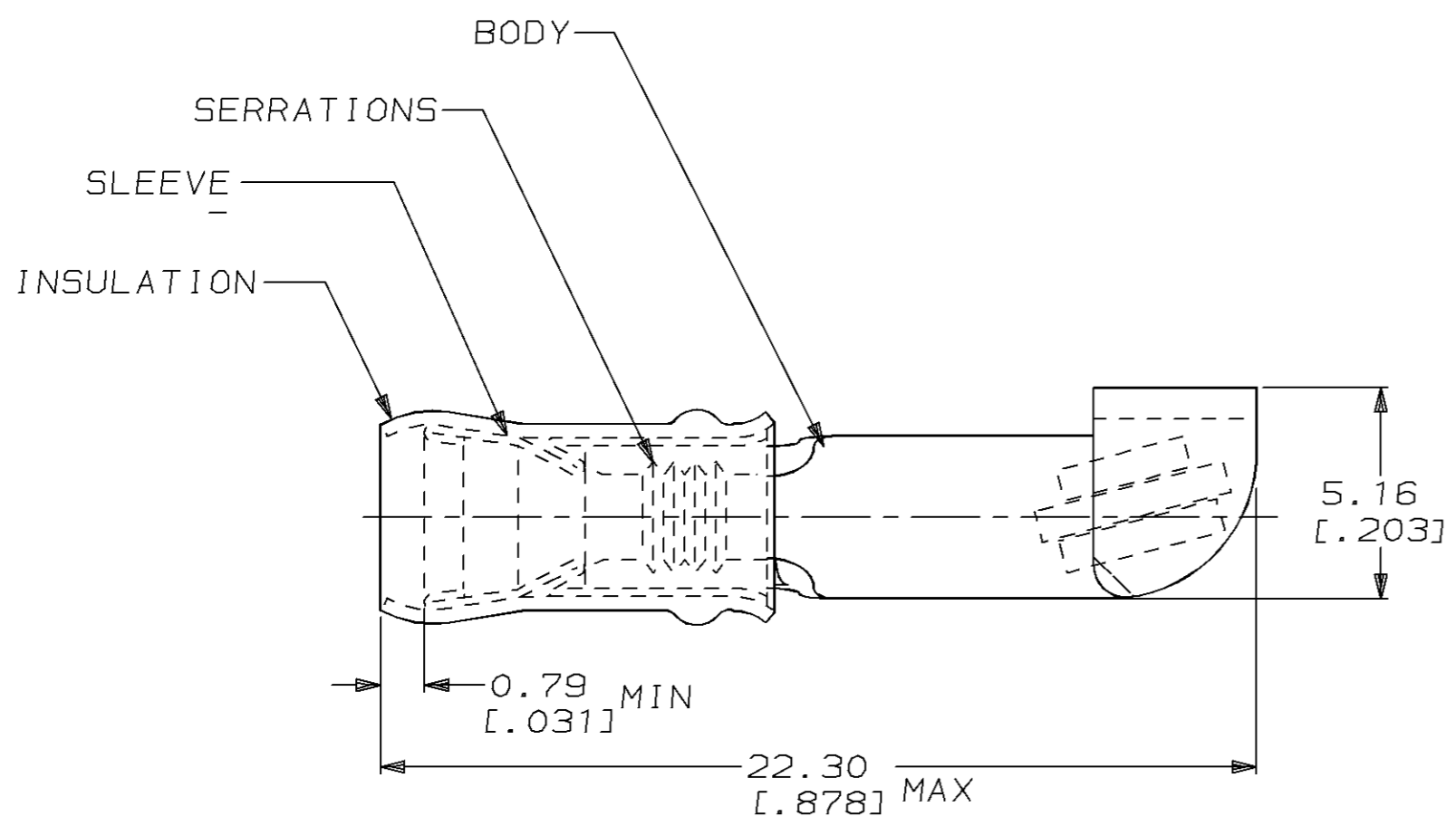
3

2

1

THIS DRAWING IS UNPUBLISHED. RELEASED FOR PUBLICATION ,19 .
 © COPYRIGHT 19 BY AMP INCORPORATED. ALL RIGHTS RESERVED.

LOC	DIST	REVISIONS					
		P	LTR	DESCRIPTION	DATE	DWN	APVD
G	14		E	REV / 0720-0431-94 & 0720-0328-94	1DEC94	LO	ME



AMP WIRE RANGE	AMP FILE E13288
STRANDED	STRANDED

- 1. STAMP AMP 22-18* 1-2 APPROX AS SHOWN
22-16 TERMINALS ARE STAMPED 22-18 IN
ACCORDANCE WITH MILITARY SPEC MIL-T-7928
COMMERCIAL WIRE RANGE IS 22-16
- 2. WIRE INSUL DIA, 2.67-3.56 [.105-.140]
- 3. TONGUE MATL THK, 0.79±0.05 [.031±.002]

QTY	PACKAGE TYPE	PART NO
100	LOOSE PIECE, BOX	8-32446-1
5000	ON TAPE, REEL	2-32446-1
1000	LOOSE PIECE	32446

AMP INCORPORATED CUSTOMER SERVICE SYSTEM		MAX RECOMMENDED OPERATING TEMPERATURE: 105°C [221°F]	THIS DRAWING IS A CONTROLLED DOCUMENT FOR AMP INCORPORATED. IT IS SUBJECT TO CHANGE AND THE CONTROLLING ENGINEERING ORGANIZATION SHOULD BE CONTACTED FOR THE LATEST REVISION.		DWN L OLMEDA 1DEC94	AMP AMP Incorporated Harrisburg, PA 17105-3608		
FOR ADDITIONAL PRODUCT INFORMATION OR COPIES OF DRAWINGS AND TECHNICAL DOCUMENTS	PRODUCT INFORMATION CENTER 1-800-522-6752		DIMENSIONS: mm [in]	TOLERANCES UNLESS OTHERWISE SPECIFIED:	CHK M ELLIS 1DEC94		APVD N BIRCH 1DEC94	
FOR APPLICATION TOOLING INFORMATION	TOOLING ASSISTANCE CENTER 1-800-722-1111	VOLTAGE RATING: 300V MAX		0 PLC ±-	1 PLC ±-	NAME TERMINAL, KNIFE DISCONNECT, P.I.D.G., WIRE SIZE, 22-16 AWG		
FOR ORDER ENTRY	1-800-526-5142	CIRCULAR MIL AREA: 0.26mm²-1.65mm² [509-3260]		2 PLC ±0.20 [.008]	3 PLC ±-	4 PLC ±-	APPLICATION SPEC	
			MATERIAL BODY, CU PER ASTM B152 INSUL, NYLON, RED SLV, CU PER ASTM B152	FINISH TIN PLATE PER MIL-T-10727	WEIGHT -	SIZE A3	CAGE CODE 00779	DRAWING NO C-32446
			CUSTOMER DRAWING		SCALE 6:1	SHEET 1 OF 1	REV E	